

Code : YA-LS-10K-TR140-D

Product : TRIMLESS LINEAR SPOT 10W

LINEAR SPOT



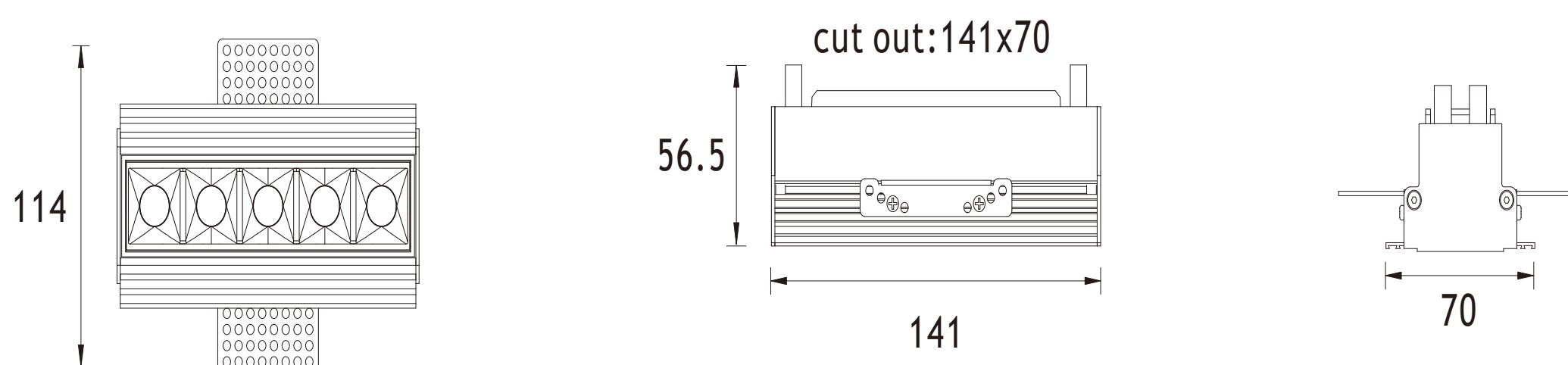
- Precise light distribution with special configuration of optical system.
- Low UGR gives high visual comfort.
- Precise speckle with four kinds of beam angles : 10°/15°/30°/45°.
- Recessed miniaturised luminaire provides between size and light beam.
- Linear lighting fixture with perfect anti glare light distribution.
- Eccentric design makes precise speckle via reducing stray light.
- Radiant forging surface in die cast aluminum gives high heat efficiency.



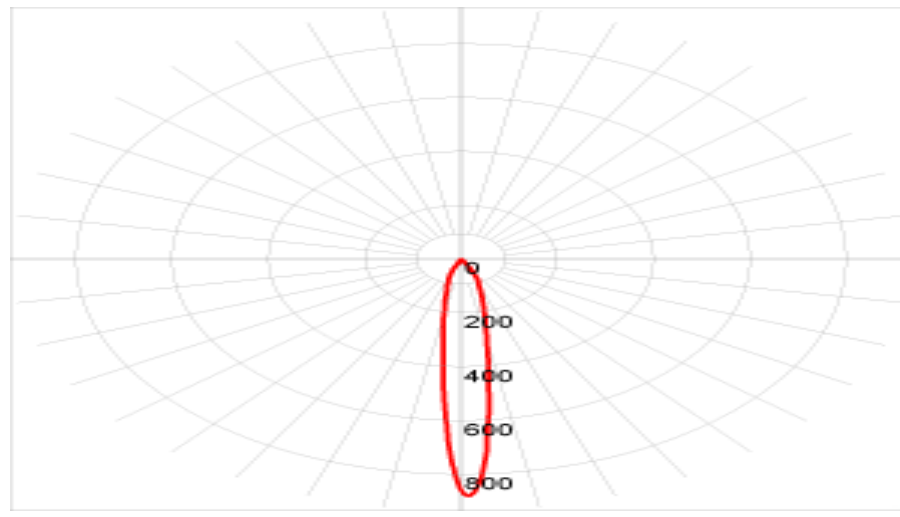
### TECHNICAL DATA :

<p><b>High Efficiency</b> 70-100lm/w</p>	<p><b>Power</b> 10W</p>	<p><b>CCT</b> 2700K/3000K/4000K/6000K</p>
<p><b>LED Source</b> Osram LED</p>	<p><b>CRI</b> RA&gt;90</p>	<p><b>High Lumens</b> 700 - 750lm</p>
<p><b>Input Details</b> 550mA / 8-20 VDC</p>	<p><b>Beam Angle</b> 10°/ 15°/ 30°/45°</p>	<p><b>Dimming Option</b> SW/TD/DA</p>
<p><b>IP Rating</b> IP20</p>	<p><b>Size</b> H56.5*L141,CO-141*70mm</p>	<p><b>Weight</b> 25gm ±10%</p>
<p><b>MacAdam</b> 3 Step</p>	<p><b>Finish</b> White, Black</p>	<p><b>Refractor Lens</b> White, Black</p>
<p><b>Temperature-Ambient</b> Upto 40°C</p>	<p><b>Installation</b> Recessed</p>	<p><b>Long Life Time</b> 50,000 hrs</p>

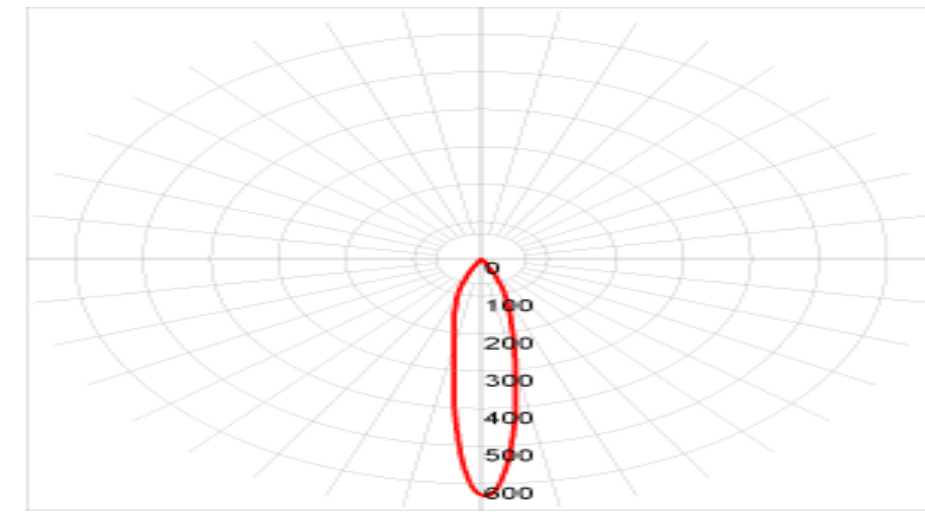
### DIMENSIONS :



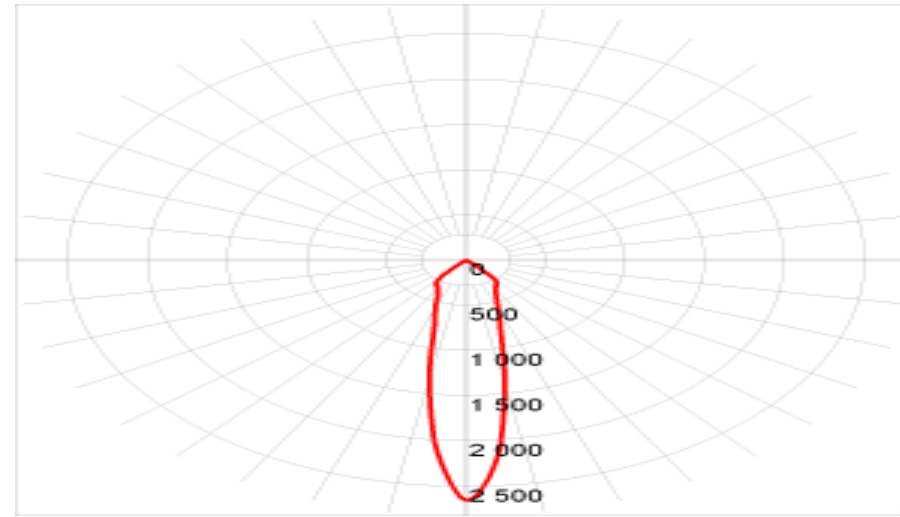
## PHOTOMETRICS:



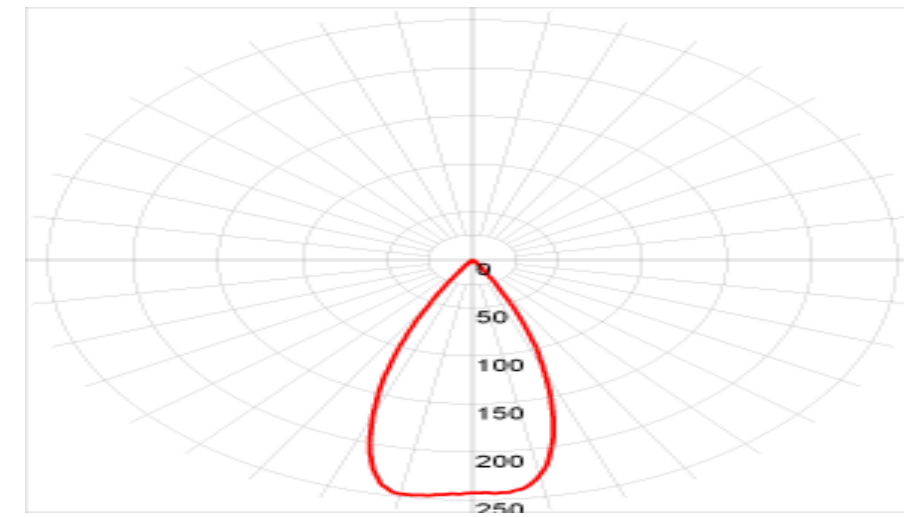
10W, 10D



10W, 15D



10W, 30D



10W, 45D

## ORDER INFORMATION :



### Series

Linear Spot- LS



### Wattage

W- 2, 4, 10, 20, 30



### CCT

K- 3000, 4000, 6000



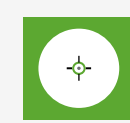
### Mount

TR- Trimless Recessed



### Beam Angle

B- 10°/ 15°/ 30°/45°



### Finish Colours

White, Black

## FRAMES :



White



Black