

MAGNETIC TRACK LIGHT

Code : MT-DFS2-12K-L219-B

Product : FLOOD 12W 48VDC

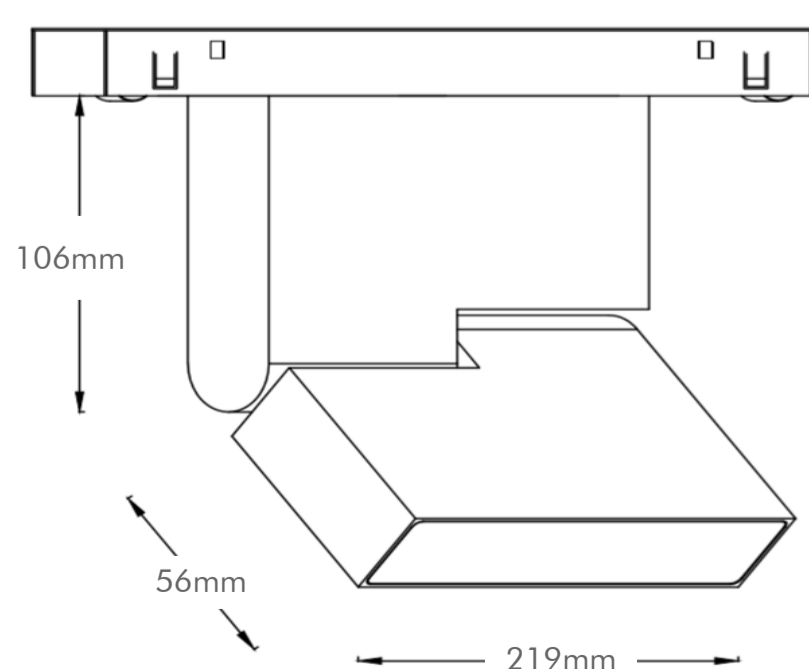


- Anywhere in the track, various products can be placed such as spots, linear & Pendant.
- Magnetic track rail with a thin and slim design.
- 48VDC Magnetic Track System.
- Available as a suspended surface-mounted and recessedtrim less version.
- All Luminaries have a magnetic adapter. This eliminates the need for installation tools.
- Each system module can be individually controlled and dimmed with DALI option.

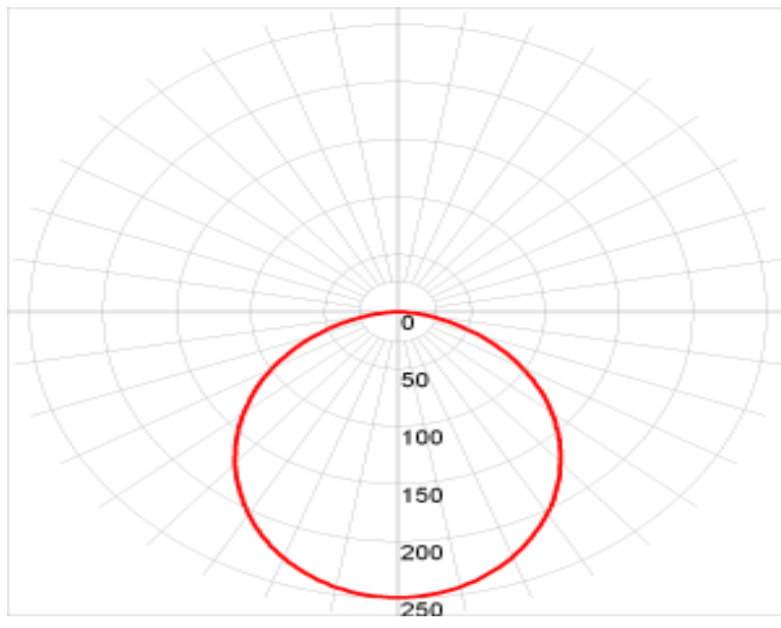
TECHNICAL DATA :

<p>High Efficiency 90-100lm/w</p>	<p>Power 12W</p>	<p>CCT 3000K / 4000K / 6000K</p>
<p>LED Source Osram LED</p>	<p>CRI RA>85</p>	<p>High Lumens 1080lm</p>
<p>Input Details 48 VDC</p>	<p>Beam Angle 120°</p>	<p>Dimming Option SW/DA</p>
<p>IP Rating IP20</p>	<p>Size L219*W22*H106mm</p>	<p>Weight 220gm ±10%</p>
<p>No Radiation & Flicker free</p>	<p>Finish Black</p>	<p>Track Rail Surface, Recessed, Recessed Slot</p>
<p>Temperature Upto 60°C</p>	<p>Installation Push & Lock</p>	<p>Long Life Time 50,000 hrs</p>

DIMENSIONS :




PHOTOMETRICS:





12W, 120°


ORDER INFORMATION :

 **Series**
Flood-MT-DFS2

 **Wattage**
W-6, 10, 12, 20

 **CCT**
K- 3000, 4000, 6000

 **Length**
L111, L219

 **Beam Angle**
B-120°

 **Dimming Option**
Blank- ON/OFF, DA-Dali

TRACK RAIL :

Recessed Track
MT-TR-R15-5



Surface/Suspended Track
MT-TR-S15



Recessed slot
MT-TR-R15-2B



ACCESSORIES:



Top Cover



L- Connector



Input module



Led Driver



L-Connector



Direct Module



Suspension Kit



Corner Module