

# MAGNETIC TRACK LIGHT



Code : MT-HD-12K-R50-B

Product : SPOT 12W 48VDC

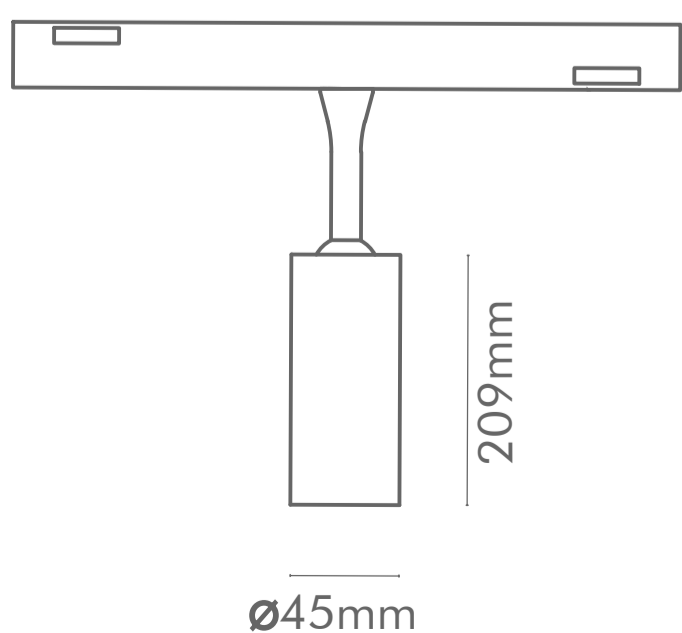


- Anywhere in the track, various products can be placed such as spots, linear & Pendant.
- Magnetic track rail with a thin and slim design.
- 48VDC Magnetic Track System.
- Available as a suspended surface-mounted and recessedtrim less version.
- All Luminaries have a magnetic adapter. This eliminates the need for installation tools.
- Each system module can be individually controlled and dimmed with DALI option.

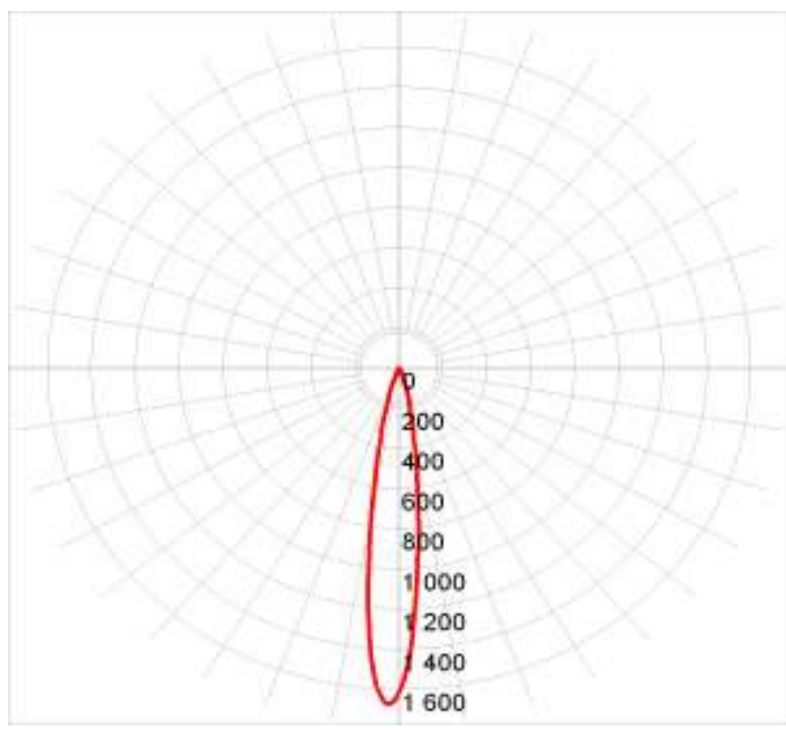
## TECHNICAL DATA :

<p><b>High Efficiency</b> 90-100lm/w</p>	<p><b>Power</b> 12W</p>	<p><b>CCT</b> 3000K / 4000K / 6000K</p>
<p><b>LED Source</b> Osram LED</p>	<p><b>CRI</b> RA&gt;85</p>	<p><b>High Lumens</b> 1080lm</p>
<p><b>Input Details</b> 48 VDC</p>	<p><b>Beam Angle</b> 10°/24°/36°</p>	<p><b>Dimming Option</b> SW/DA</p>
<p><b>IP Rating</b> IP20</p>	<p><b>Size</b> D45*L209*H147mm</p>	<p><b>Weight</b> 220gm ±10%</p>
<p><b>MacAdam</b> 3 step</p>	<p><b>Finish</b> Black</p>	<p><b>Track Rail</b> Surface, Recessed, Recessed Slot</p>
<p><b>Temperature-Ambient</b> Upto 40° C</p>	<p><b>Installation</b> Push &amp; Lock</p>	<p><b>Long Life Time</b> 50,000 hrs</p>

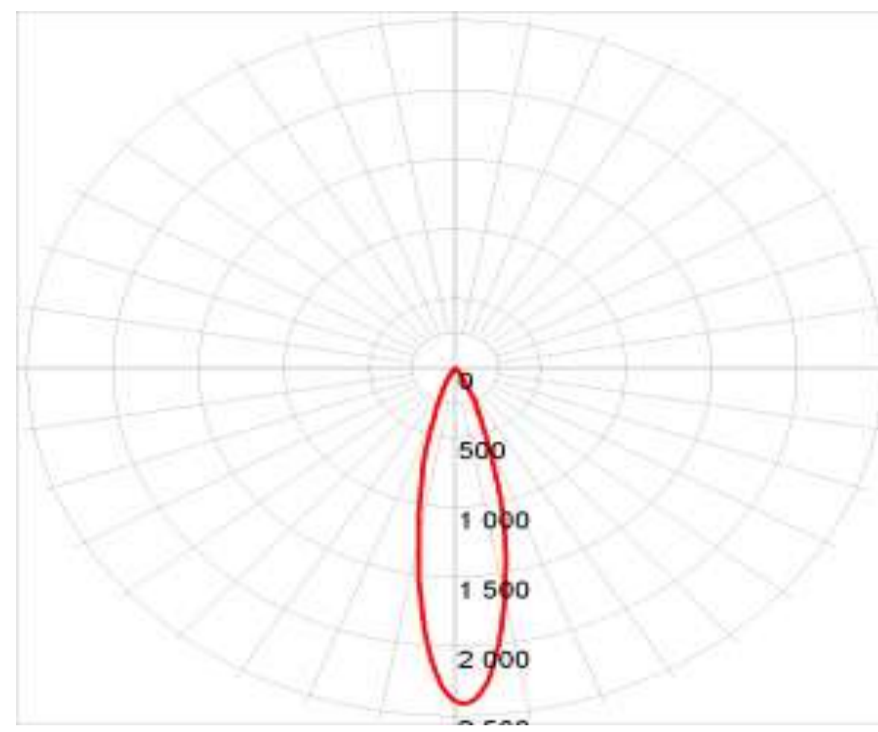
## DIMENSIONS :



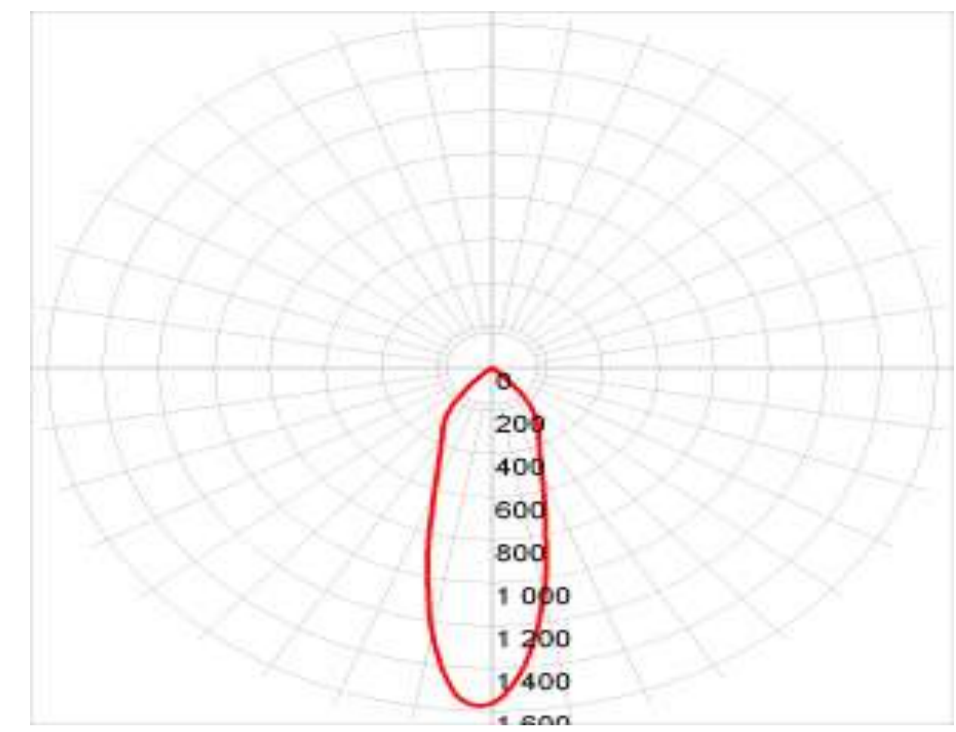
## PHOTOMETRICS:



20W, 10°

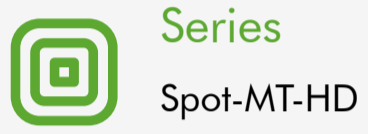


20W, 24°



20W, 36°

## ORDER INFORMATION :



**Series**  
Spot-MT-HD



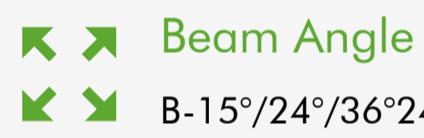
**Wattage**  
W-3, 7, 12, 20



**CCT**  
K- 3000, 4000, 6000



**Shape**  
R30, R45, R60



**Beam Angle**  
B-15°/24°/36°/24°



**Dimming Option**  
Blank- ON/OFF, DA-Dali

## TRACK RAIL :

Recessed Track  
MT-TR-R15-5



Surface/Suspended Track  
MT-TR-S15



Recessed slot  
MT-TR-R15-2B



## ACCESSORIES:



Top Cover



L- Connector



Input module



Led Driver



L-Connector



Direct Module



Suspension Kit



Corner Module