

MAGNETIC TRACK LIGHT



Code : MT-TL2-7K-R45-B

Product : SPOT 7W 48VDC

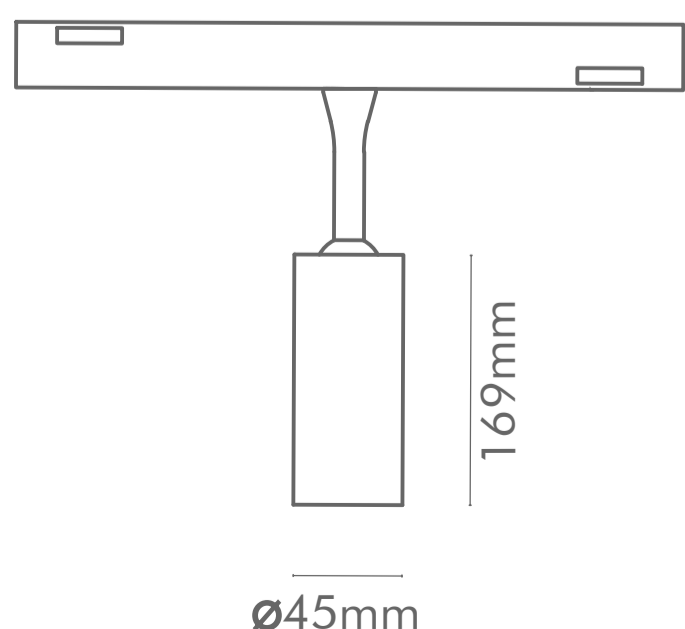


- Anywhere in the track, various products can be placed such as spots, linear & Pendant.
- Magnetic track rail with a thin and slim design.
- 48VDC Magnetic Track System.
- Available as a suspended surface-mounted and recessedtrim less version.
- All Luminaries have a magnetic adapter. This eliminates the need for installation tools.
- Each system module can be individually controlled and dimmed with DALI option.

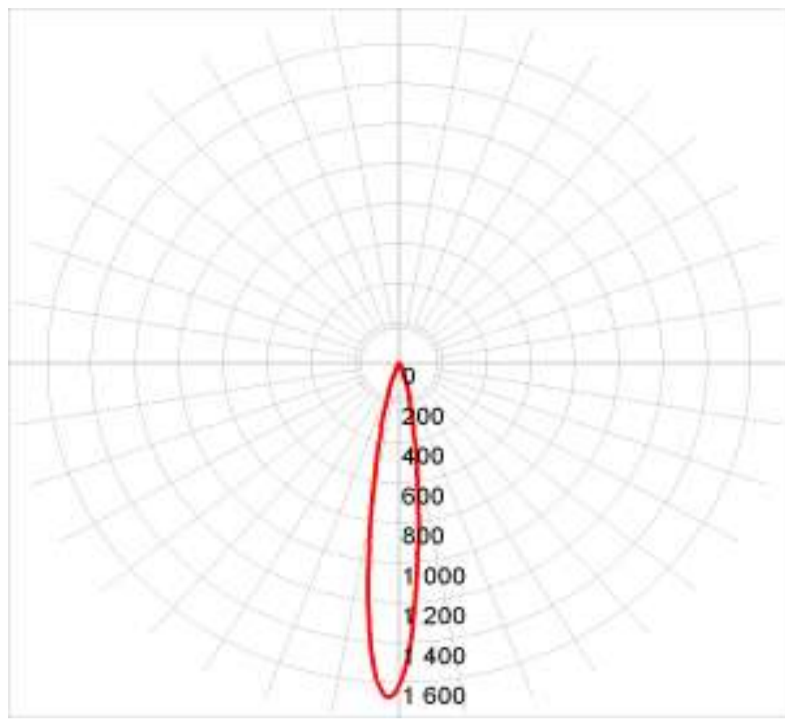
TECHNICAL DATA :

<p>High Efficiency 90-100lm/w</p>	<p>Power 7W</p>	<p>CCT 3000K / 4000K / 6000K</p>
<p>LED Source Osram LED</p>	<p>CRI RA>85</p>	<p>High Lumens 630lm</p>
<p>Input Details 48 VDC</p>	<p>Beam Angle 15°/24°/36°</p>	<p>Dimming Option SW/DA</p>
<p>IP Rating IP20</p>	<p>Size D45*L169*H147mm</p>	<p>Weight 180gm ±10%</p>
<p>MacAdam 3 step</p>	<p>Finish Black</p>	<p>Track Rail Surface, Recessed, Recessed Slot</p>
<p>Temperature-Ambient Upto 40° C</p>	<p>Installation Push & Lock</p>	<p>Long Life Time 50,000 hrs</p>

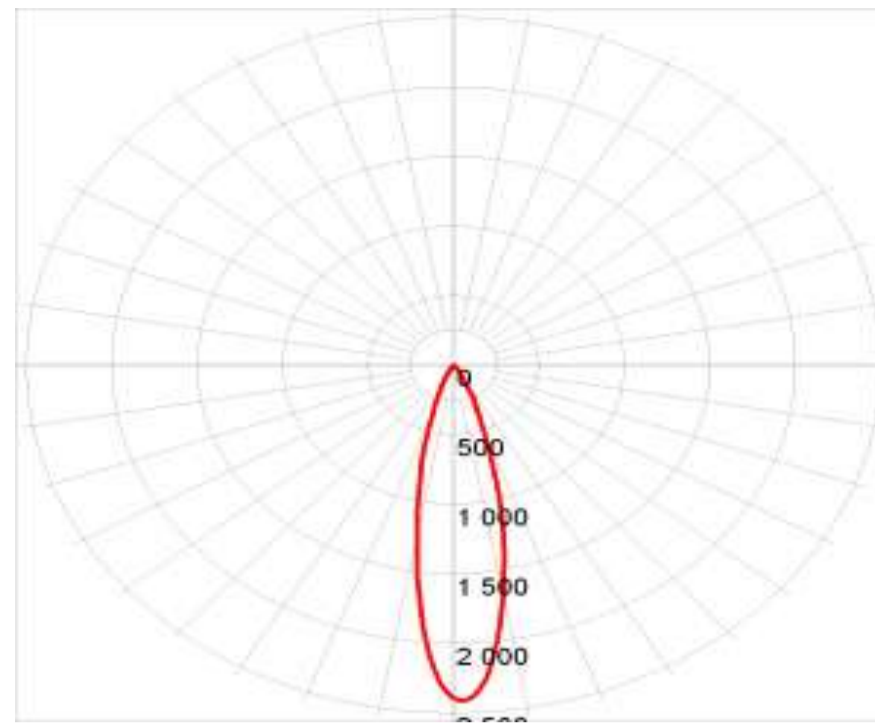
DIMENSIONS :



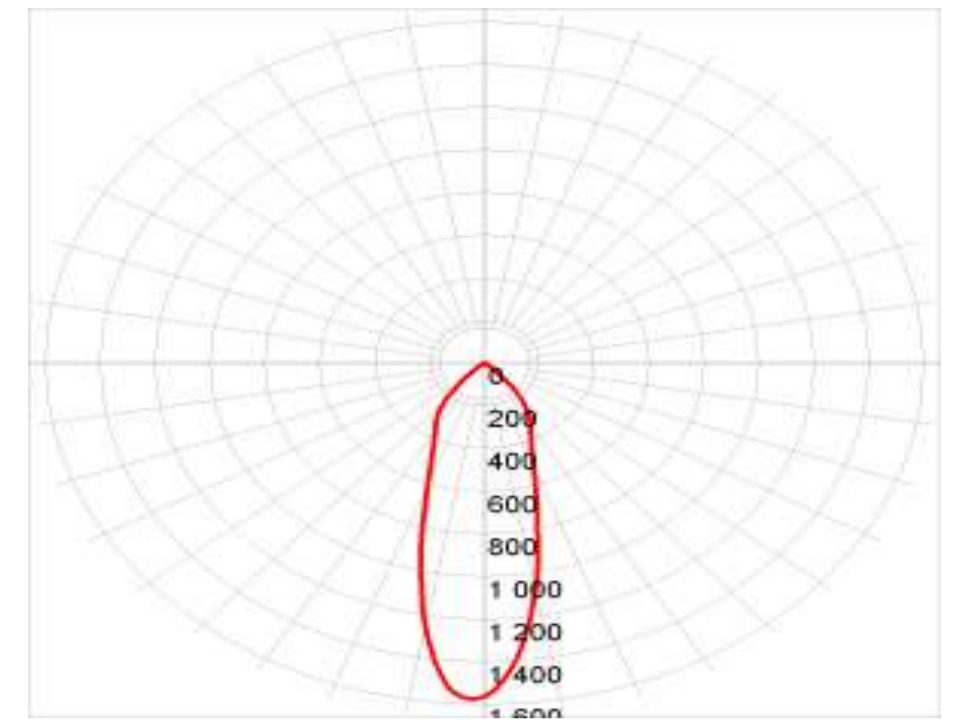
PHOTOMETRICS:



7W, 15°

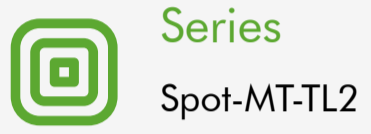


7W, 24°



7W, 36°

ORDER INFORMATION :



Series
Spot-MT-TL2



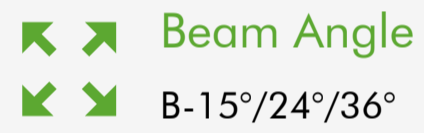
Wattage
W-3, 7, 12, 20



CCT
K- 3000, 4000, 6000



Shape
R30, R45, R60



Beam Angle
B-15°/24°/36°



Dimming Option
Blank- ON/OFF, DA-Dali

TRACK RAIL :

Recessed Track
MT-TR-R15-5



Surface/Suspended Track
MT-TR-S15



Recessed slot
MT-TR-R15-2B



ACCESSORIES:



Top Cover



L- Connector



Input module



Led Driver



L-Connector



Direct Module



Suspension Kit



Corner Module