

Code : YA-DL-10K-R50-B

Product : OSMO 10W 300mA 34VDC

DOWNLIGHT

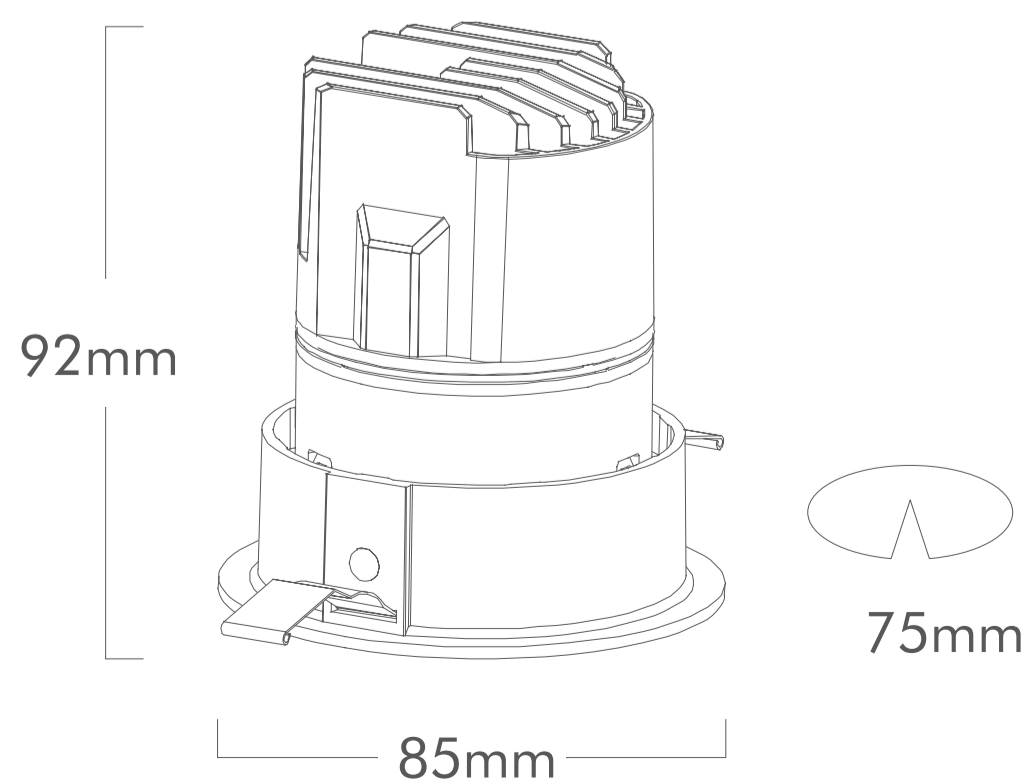


- Precise light distribution in three types : General Lighting, Washing and Accentuation.
- Modular design spot light system.
- Precise speckle with four kinds of beam angles : 15°/24°/36°/60°.
- Two kinds of optical assembly: Option glass / Honeycomb.
- Anti glare accessories for excellent visual comfort.
- Eccentric design makes precise speckle via reducing stray light.
- Straight heat sink design achieves high performance of heat dissipation and keep LED chip working in high lumens in long lifetime.

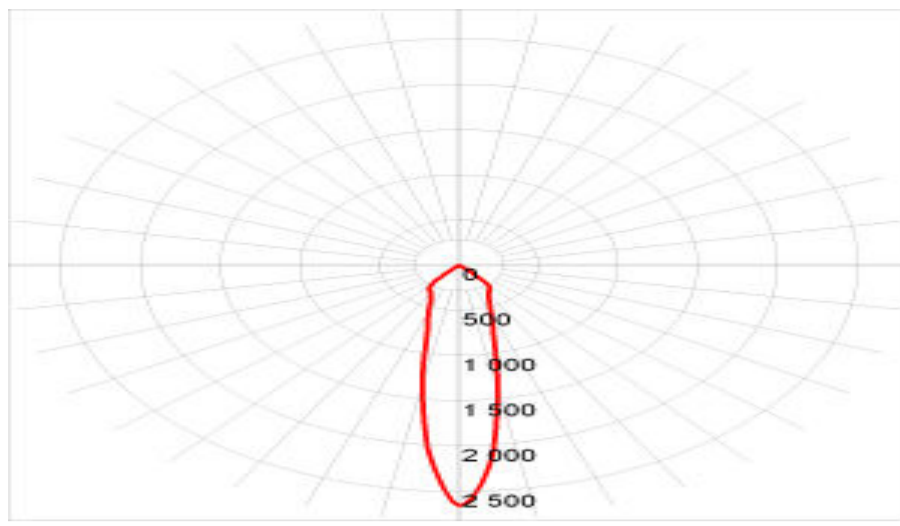
TECHNICAL DATA :

<p>High Efficiency 90-120lm/w</p>	<p>Power 10W</p>	<p>CCT 3000K / 4000K / 6000K</p>
<p>LED Source Edison LED</p>	<p>CRI RA>85</p>	<p>High Lumens 900-1200lm</p>
<p>Input Details 300mA / 34 VDC</p>	<p>Beam Angle 15°/24°/36°/60°</p>	<p>Dimming Option SW/TD/DA</p>
<p>IP Rating IP20</p>	<p>Size H92*D85,CO-75mm</p>	<p>Weight 150gm ±10%</p>
<p>MacAdam 3 Step</p>	<p>Finish White,Black</p>	<p>Low Height From 70mm</p>
<p>Temperature-Ambient Upto 40°C</p>	<p>Installation Recessed</p>	<p>Long Life Time 50,000 hrs</p>

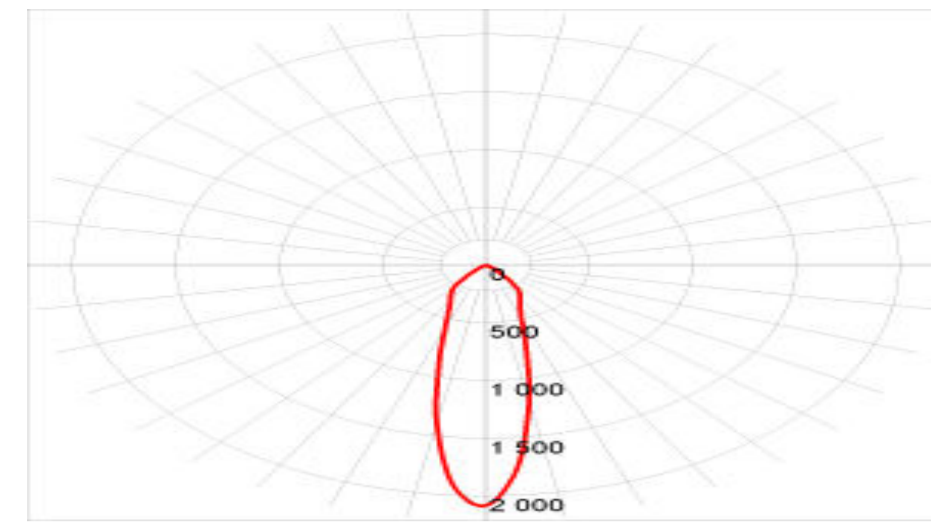
DIMENSIONS :



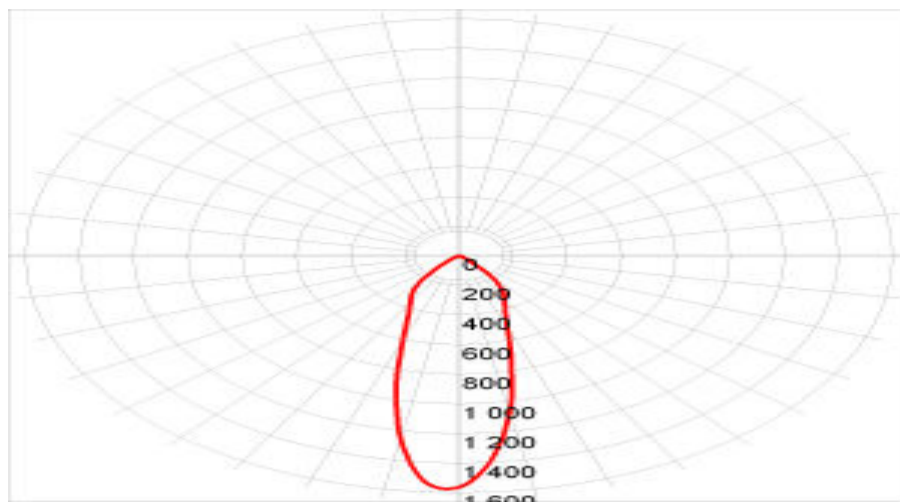
PHOTOMETRICS:



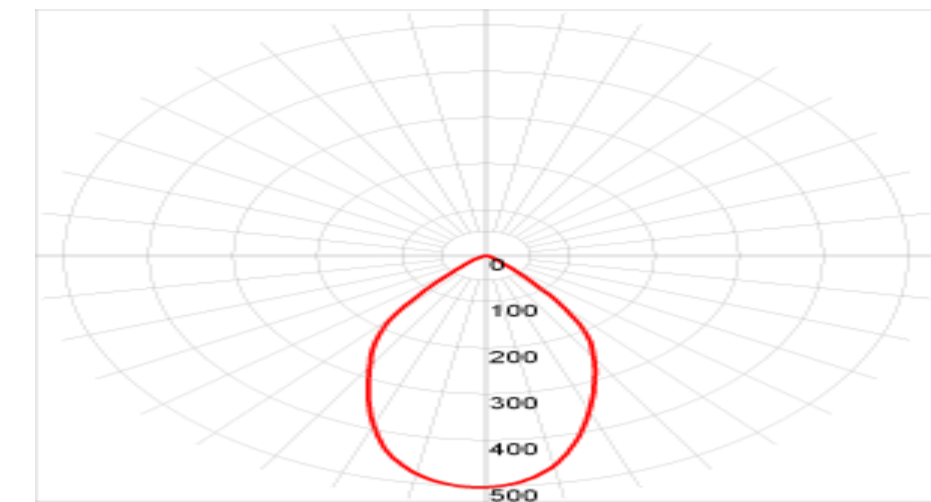
10W, 15D



10W, 24D



10W, 36D



10W, 60D

ORDER INFORMATION :



Series
Osmo



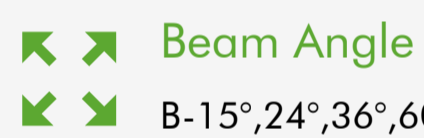
Wattage
W- 7,10,15



CCT
K- 3000, 4000, 6000



Shape
RD- Round Dimen, SD-Square Dimen



Beam Angle
B-15°,24°,36°,60°



Optional Accessories
HC-Honeycomb, Clear glass

FRAMES :



F-R-10-WW



F-R-10-WB



F-R-10-BB