

Code : YA-DL-15K-R50-B

Product : DURO 15W 420mA 34VDC

DOWNLIGHT

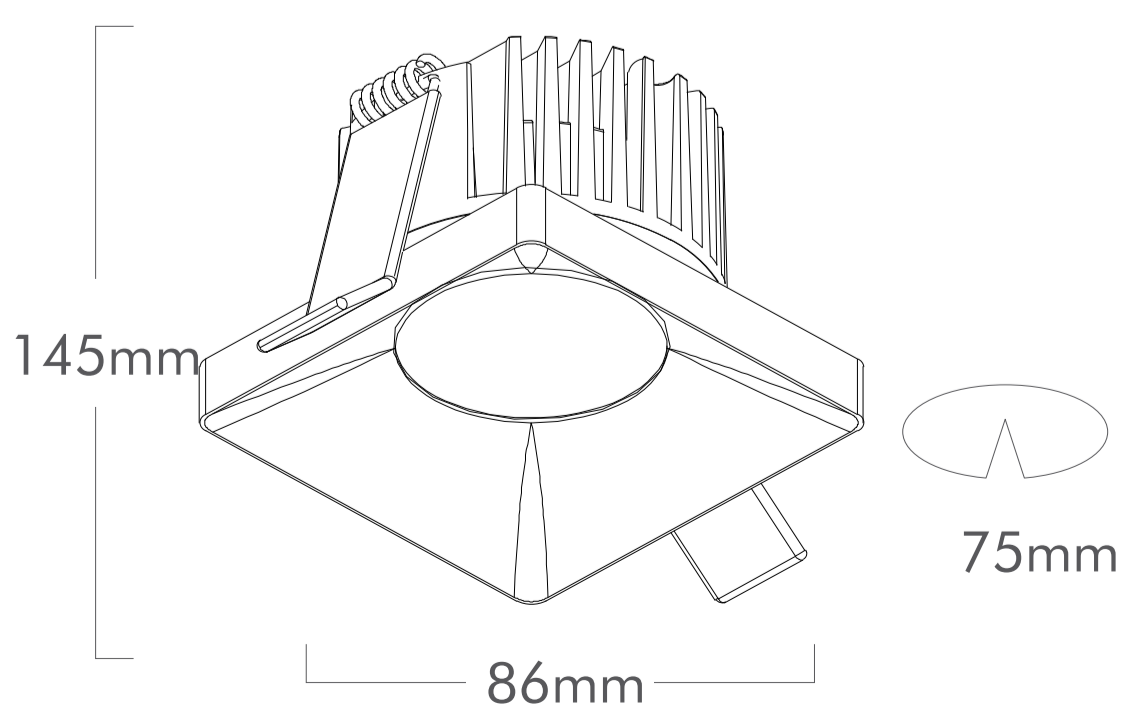


- Precise light distribution in three types : General Lighting, Washing and Accentuation.
- Modular design spot light system.
- Precise speckle with four kinds of beam angles : 15°/24°/36°/60°.
- Two kinds of optical assembly: Option glass / Honeycomb.
- Anti glare accessories for excellent visual comfort.
- Eccentric design makes precise speckle via reducing stray light.
- Straight heat sink design achieves high performance of heat dissipation and keep LED chip working in high lumens in long lifetime.

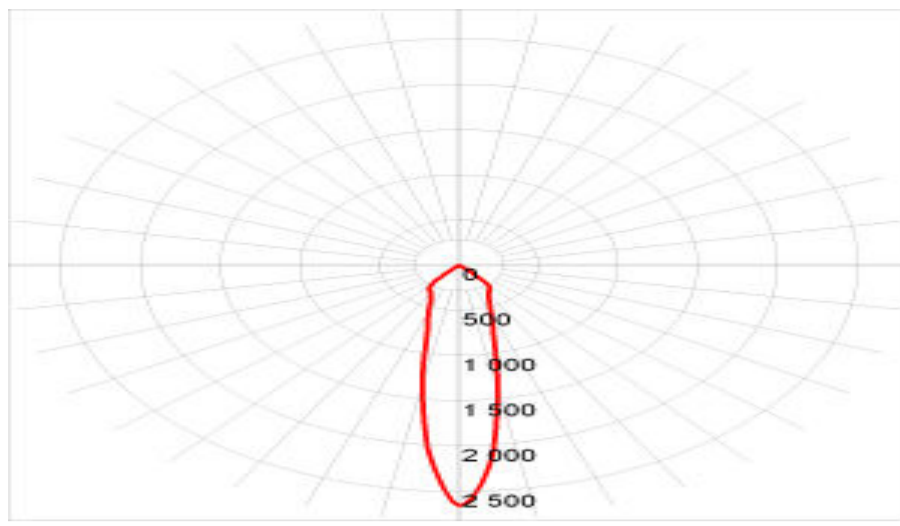
### TECHNICAL DATA :

|   |  |   |
|---|--|---|
| <p><b>High Efficiency</b><br/>90-120lm/w</p>    | <p><b>Power</b><br/>15W</p>                  | <p><b>CCT</b><br/>3000K / 4000K / 6000K</p> |
| <p><b>LED Source</b><br/>Edison LED</p>         | <p><b>CRI</b><br/>RA&gt;85</p>               | <p><b>High Lumens</b><br/>1350-1800lm</p>   |
| <p><b>Input Details</b><br/>420mA / 34 VDC</p>  | <p><b>Beam Angle</b><br/>15°/24°/36°/60°</p> | <p><b>Dimming Option</b><br/>SW/TD/DA</p>   |
| <p><b>IP Rating</b><br/>IP20</p>                | <p><b>Size</b><br/>H145*L/W86,CO-75mm</p>    | <p><b>Weight</b><br/>180gm ±10%</p>         |
| <p><b>MacAdam</b><br/>3 Step</p>                | <p><b>Finish</b><br/>White,Black</p>         | <p><b>Low Height</b><br/>From 70mm</p>      |
| <p><b>Temperature-Ambient</b><br/>Upto 40°C</p> | <p><b>Installation</b><br/>Recessed</p>      | <p><b>Long Life Time</b><br/>50,000 hrs</p> |

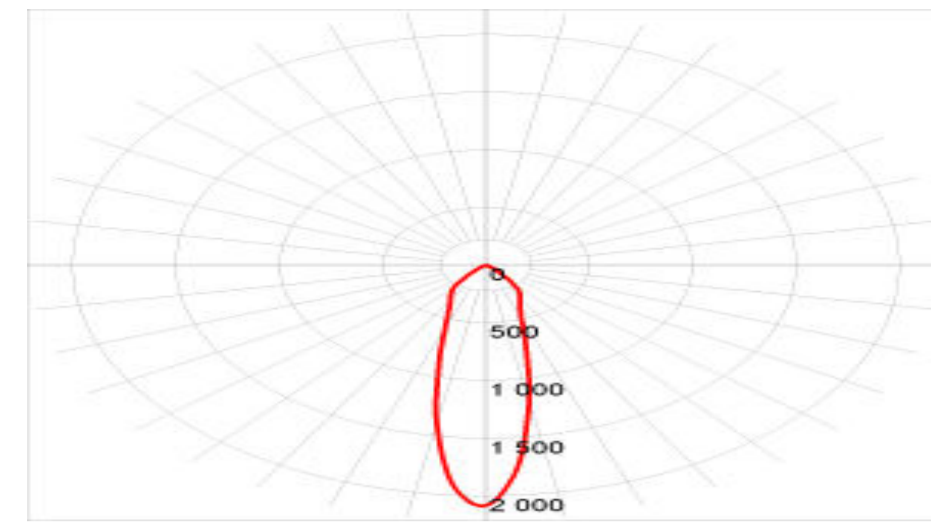
### DIMENSIONS :



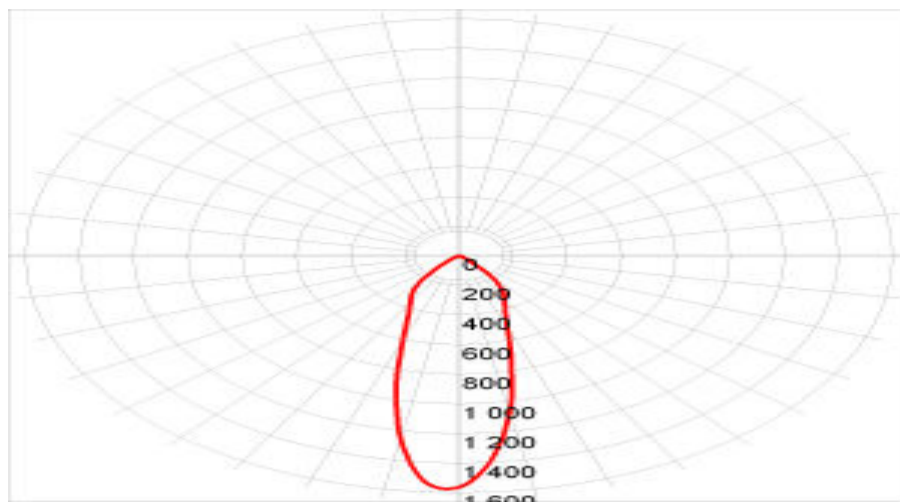
## PHOTOMETRICS:



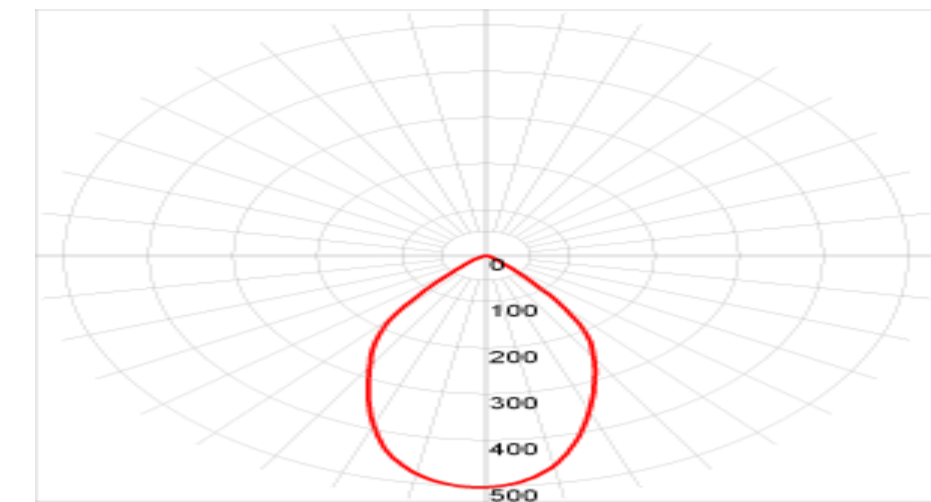
15W, 15D



15W, 24D



15W, 36D



15W, 60D

## ORDER INFORMATION :



Series  
Duro



Wattage  
W- 7,10,15



CCT  
K- 3000, 4000, 6000



Shape  
RD- Round Dimen, SD-Square Dimen



Beam Angle  
B-15°,24°,36°,60°



Optional Accessories  
HC-Honeycomb, Clear glass

## FRAMES :



F-DL-O-W



F-DL-O-B

## SECONDARY REFLECTORS :



UV Chrome, Matt Silver, Shiny Black, Matt Black